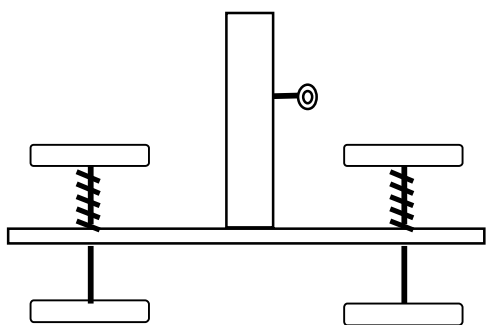
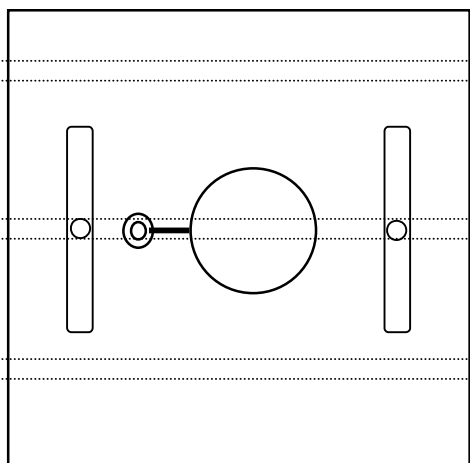




READ THIS FIRST



The AnyDeck Umbrella/Pole Stand is designed to fit ANY SLOTTED DECK. The AnyDeck Stand MUST BE PLACED ON YOUR DECK AS SHOWN BELOW.



LIKE THIS !!!

Not all decks have the same spacing. Both latches must be fitted into the same horizontal slot as shown to the left.

Deck Slots

NOT LIKE THIS !!!

Not all decks have the same spacing. Consequently, the AnyDeck Stand will not necessarily fit your deck if you attempt to put one latch in one slot and the other latch in a different slot. See the example above to allow any deck to accept the AnyDeck Stand.

